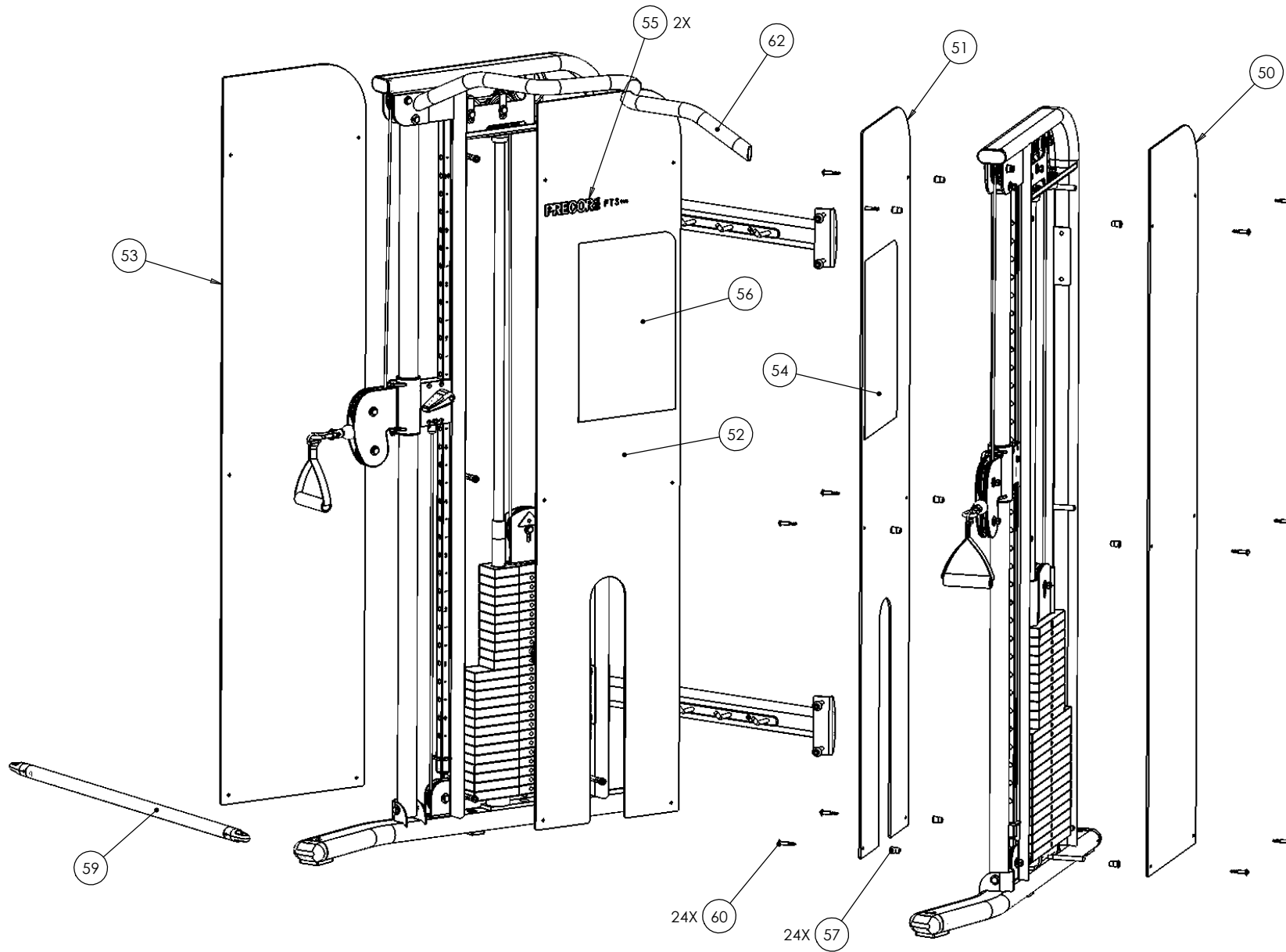
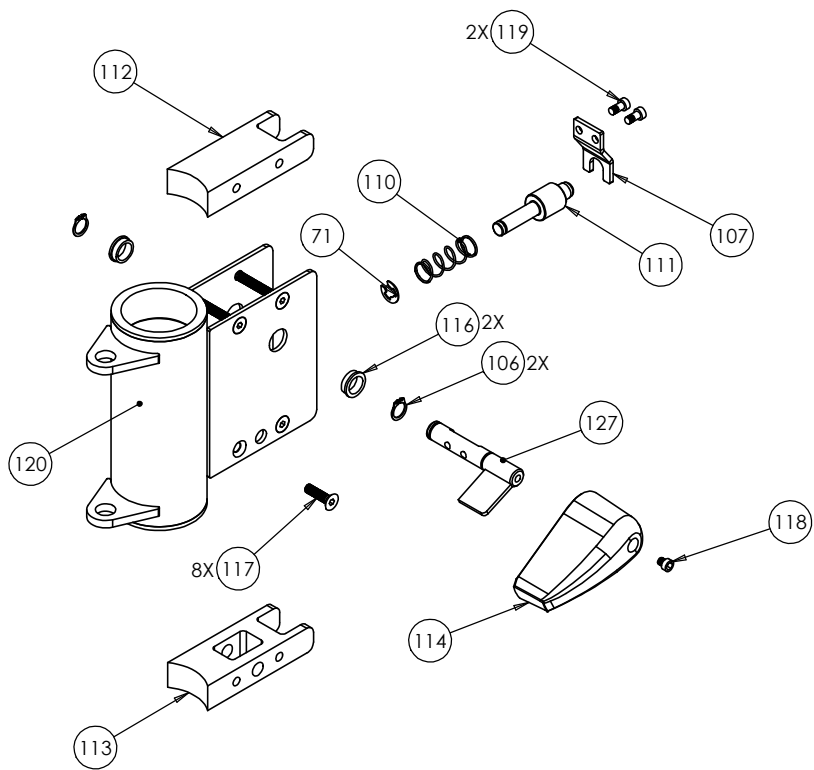
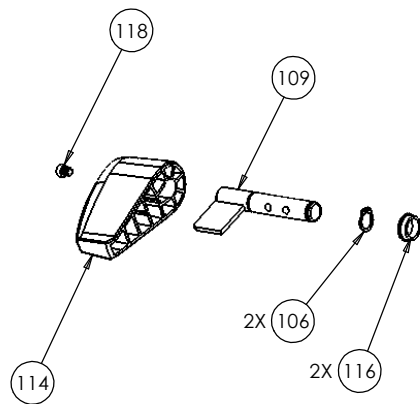


FTS	P/N : 49831-101	SUBREV : J
DRAWN BY : C THOMSON	DATE : 20 JUN 2012	SHEET 1 OF 5

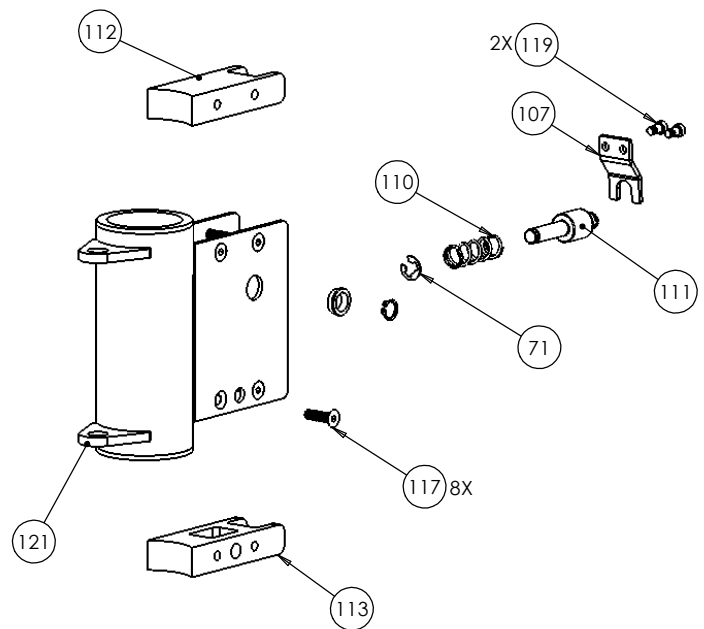




**ASSEMBLY GUIDE
LEFT SIDE**



**ASSEMBLY GUIDE
RIGHT SIDE**



FTS Glide (serial code AA95, BGHW)

Part Number	Description	Bubble Number
AP100144-101	REAR SHROUD RIGHT	50
AP201643-101	ASSEM, LEFT FRONT SHROUD	51
AP201645-101	ASSEM, RIGHT FRONT SHROUD	52
AP201644-101	ASSEM, LEFT REAR SHROUD	53
AP100154-101	PLACARD LEFT	54
APMD0293-101	LOGO BADGE	55
AP100153-101	PLACARD RIGHT	56
AP060327-101	SHROUD MOUNT SPACER	57
AP110114-102	STACK PIN (BLUE)	58
AP201666-101	ASSEMBLY, PULL BAR	59
THMN025-175	SCREW,BTHD W/WASHER,1/4-20X.175,ZN(60
AP041715-171	WELDMENT, CROSS BAR, WAS -131	61
AP041716-901	WELDMENT, LAT BAR	62
AP041723-901	WELDMENT, HOOK SET	63
CACN006-010	SCREW,SKHD,M6X1.0-10 ZN	64
KACN038-043	LOCKNUT,HALF,3/8-16,ZN	66
WKKN010-002	WASHER, FLAT, 10MMX25MMX2MM	67
AP120217-101	D-STRAP	68
AP120060-102	ANKLE/THIGH STRAP	69
AP130241-102	CABLE	70
AKCN009-001	E-RING,EXTERNAL, METRIC 9MM X .9MM	71
AP020595-171	CAM WASHER, WAS -131	72
AP021115-171	CABLE CLIP, WAS -131	73
AP030531-901	SHAFT, CABLE	74
AP060035-101	4.5" DIA PULLEY	75
AP060051-101	3.5" DIA PULLEY	76
AP080113-101	STEP SPACER	77
AP080116-101	STEP SPACER	78
HCKN038-200	SCREW,HEX,GR5,3/8-16X2, BLK ZN	79
HCKN038-300	SCREW,HEX, GR5,3/8-16X3,BLK ZN	80
AP100082-101	ASSEMBLY, WEIGHT PLATE W/ BUSHINGS,	80
AP100081-101	ASSEMBLY, WEIGHT PLATE W/ BUSHINGS,	81
40771-102	BUSHING,WEIGHT STACK,PLASTIC,1"	82
AP080061-101	FLANGE BEARING	83
40771-102	BUSHING,WEIGHT STACK,PLASTIC,1"	84
HCKN038-325	SCREW,HEX,GR5,3/8-16X3 1/4,BLK ZN	85
KADKN038-051	NUT,ACORN,3/8-16	86
RAKN050-525	SCREW,SHLD,1/2 X 5-1/4,HEXSC,BLK ZN	87
WALKN038-009	WASHER, 3/8 SPLIT LOCK, BLK ZINC	88
AP012285-901	GUIDE TUBE, WT STACK	89
AP041713-171	WELDMENT, VERTICAL FRAME RIGHT, WA	90
AP041714-171	WELDMENT, VERTICAL FRAME LEFT, WAS	91
AP060073-101	STOP BLOCK	92
AP060323-101	RUBBER BUMPER, WEIGHT STACK	93
AP060328-101	PLASTIC OVAL END CUP	94
AP041720-901	WELDMENT, SLIDER GUIDE	95
PAHKN006-011	SCREW, SELF TAPPING, PAN HEAD, PHIL	96
TAKN031-225	SCREW,BTHD,5/16-18X2-1/4,BLK ZN	97

TAKN038-075	SCREW, BTHD, 3/8-16 X 3/4, BLK ZN	98
TAKN038-100	SCREW, BTHD, 3/8-16 X1, BLK ZN	99
AP030532-902	TUBE, BUSHING TOP PLATE	100
AP041948-171	WELDMENT, PULLEY BRACKET, WAS -131	101
AP021114-171	PLATE, WEIGHT STACK GUIDE, WAS -131	102
AP041718-901	WELDMENT, COUNTER RIGHT	103
AP060084-101	END CUP	104
AP041719-901	WELDMENT, COUNTER LEFT	105
ABKN012-001	RING, RETAINER, EXTERNAL, 12MM, BLK	106
AP021116-902	BRACKET PIN FORK	107
AP040887-901	HANDLE PIN WELDMENT RIGHT	109
AP050101-101	SPRING, 44MM FL, 15MM OD, 1.2MM WD	110
AP050268-902	RELEASE PIN	111
AP060316-102	WEARPAD, SELECTOR	112
AP060317-102	WEARPAD, SELECTOR BOTTOM	113
AP060318-101	HANDLE	114
AP060322-101	BUSHING, SLIDER	115
AP060324-101	PLASTIC BUSHING, HANDLE	116
MACCN025-075	MACHINE SCREW, 1/4-20, FLAT HEAD,	117
CEJN005-010	SCREW, SOC HD CAP, M8 X 0.8 X 10L,	118
TEMN005-005	SCREW, BTTNHD, M5X.8X5MM, (MECH PLTG)	118
TEMN005-010	SCREW, BTTNHD, M5X.8X10MM, (MECH PLTG)	119
AP201053-101	ASSEMBLY, RIGHT GUIDE	121
AP100062-101	TOP PLATE	122
AP100146-901	SELECTOR STEM	123
TAKN038-100	SCREW, BTHD, 3/8-16 X1, BLK ZN	125
TEKN010-040	SCREW, BTTNHD, M10X1.5X40MM	126
AP040895-901	HANDLE PIN WELDMENT LEFT	127
HCKN038-263	SCREW, HEX, GR5, 3/8-16X2 5/8, BLK ZN	128
AP060917-101	RUBBER PAD	133
AP060918-101	RUBBER PAD	134
AT060420-101	TUBE CUP	135
AP040886-171	WELDMENT, DOUBLE PULLEY BRACKET, WA	136
HCKN038-300	SCREW, HEX, GR5, 3/8-16X3, BLK ZN	137
HCKN038-300	SCREW, HEX, GR5, 3/8-16X3, BLK ZN	138
CW33614-102	LITERATURE KIT, FTS GLIDE	999